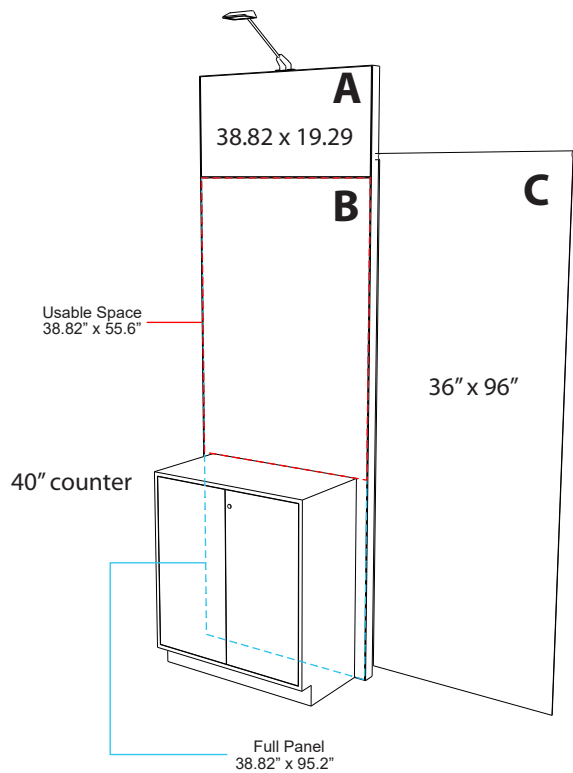


SILVER KIOSK (Premier)

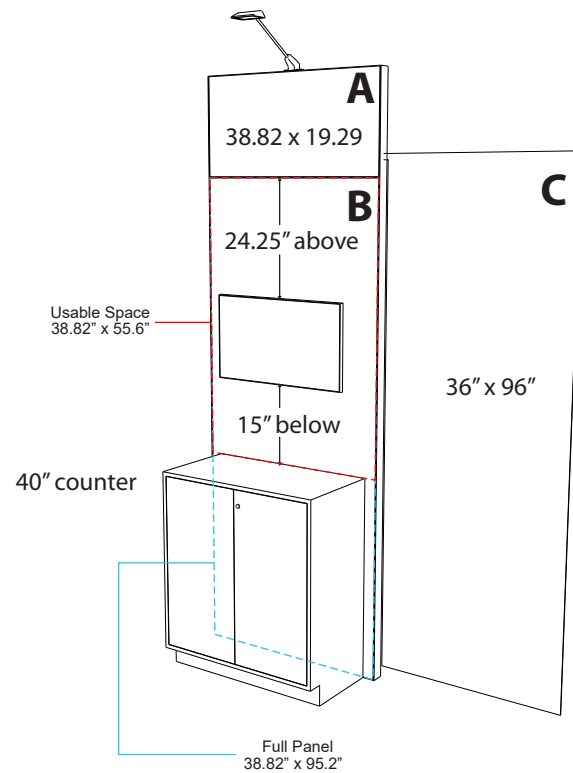
1M Wide x 9.5' Tall with 3'x8' Hanging Banner

GRAPHIC SUBMISSION GUIDELINES

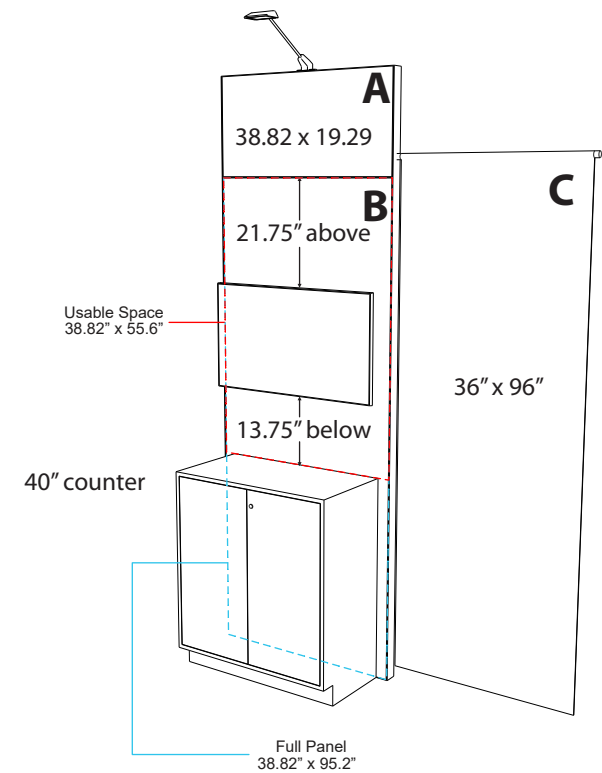
*Section A needs to include either the company name or company logo



OPTION 1
 No Monitor



OPTION 2
 Optional 32" Monitor



OPTION 3
 Optional 40" Monitor

*For Panel B – While the visible graphic area is only 38.82" x 55.5", the graphic file for submission must be 38.82" x 94.96"



WILLWORK
 7500 Exchange Drive,
 Orlando, FL 32809
 774-568-5425
 EXHIBITORSERVICES@WILLWORK.COM

Directions North America 2023

April 16-19, 2023
 Hyatt Regency Grand Cypress, Orlando FL

SILVER KIOSK (PREMIER) ORDER FORM

ARTWORK SUBMISSION DEADLINE 2/23/2023
 ARTWORK APPROVAL DEADLINE (all artwork submitted and approved) 3/10/2023
 ARTWORK LATE APPROVAL PERIOD (Sponsor incurs 30% rush fee) 3/24/2023

Please note: If approved graphics are not received by Friday, March 24, 2023, your company logo will be printed in lieu of your graphics.

PLEASE SUBMIT TWO ORDER FORMS, ONE FOR EACH KIOSK.

Description

SILVER KIOSK (PREMIER)*

*Includes 2 Graphic Panels (A, B & C)

A. Header Panel: 38.82" wide x 19.29" high

File Name: _____

B. Back Panel: 38.82" wide x 94.96" high*

File Name: _____

C. Hanging Banner: 36" wide x 96" high*

File Name: _____

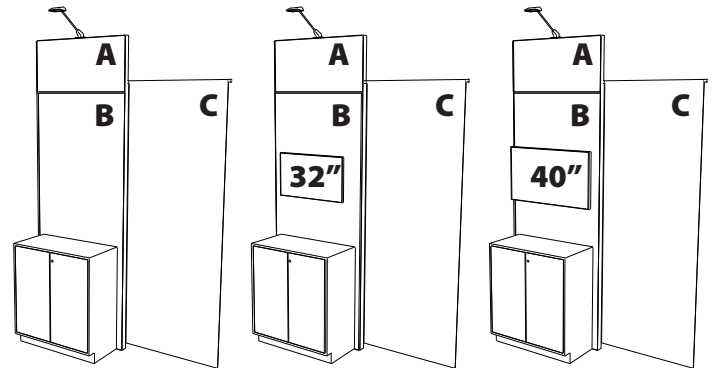
32" Mounted Monitor is Optional

Rental price is \$320.00 for the 32" monitor and includes the mount and HDMI cable.

40" Mounted Monitor is Optional

Rental price is \$400.00 for the 40" monitor and includes the mount and HDMI cable.

Please email orlando@willwork.com with tv measurements once a size is chosen



CIRCLE ONE

OPTION 1

OPTION 2

OPTION 3

PLEASE NOTE:

AV is NOT included.

*For Panel B – While the visible graphic area is only 38.82" x 55.5", the graphic file submission must be 38.82" x 94.96". Please see page 1 for size breakdown.

**Electrical drop will be placed into the demo counter, as shown in the rendering. If you require additional drops, or placement of your drops to be in a location other than the back of your booth, please contact the Hyatt Regency. If you need to upgrade your drops, you will be credited for the value of the drops included in your sponsorship package by the electrical services provider.

***If hardline Internet is required, please order separately. Please contact the Hyatt Regency.

150 DPI – PRINTABLE PDF OR ILLUSTRATOR FILE – exhibitorservices@willwork.com

Please print or type information below:

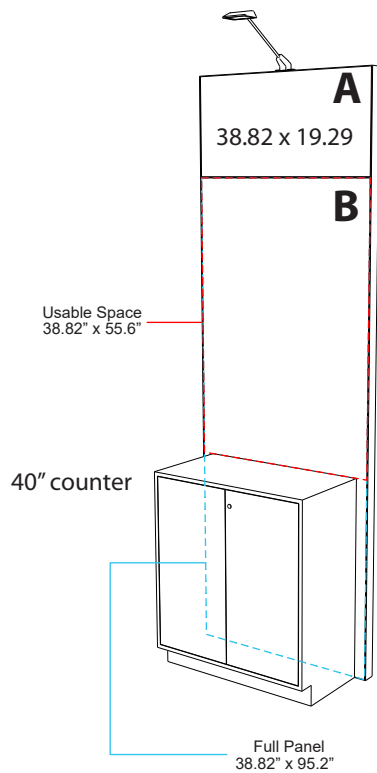
Contact Name:	Email:	
Telephone:	Fax:	
Exhibiting Company Name:	Booth Number:	

Please Note: Kiosk is included in your sponsorship package. For monitor rentals and exhibitor orders, a Credit Card must be on file to ensure payment. No Goods or services will be rendered without a credit card accompanying this order. Your preferred method of payment will be used, if other than the credit card on file, to complete this order at the close of the show. Please visit the Willwork Service Desk to finalize your invoice. No adjustment will be made after the close of the show.

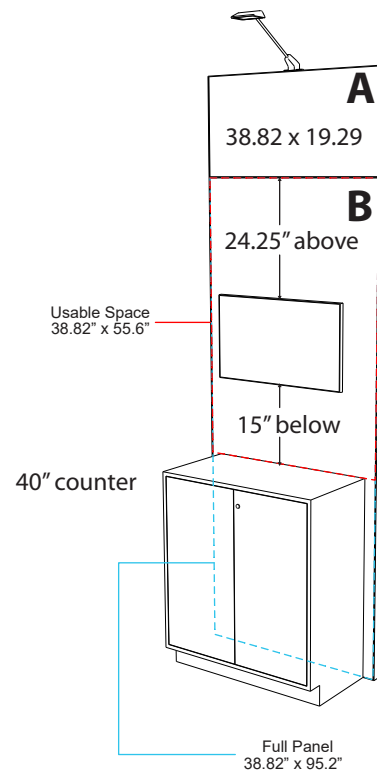
SILVER KIOSK (EXPO)

GRAPHIC SUBMISSION GUIDELINES

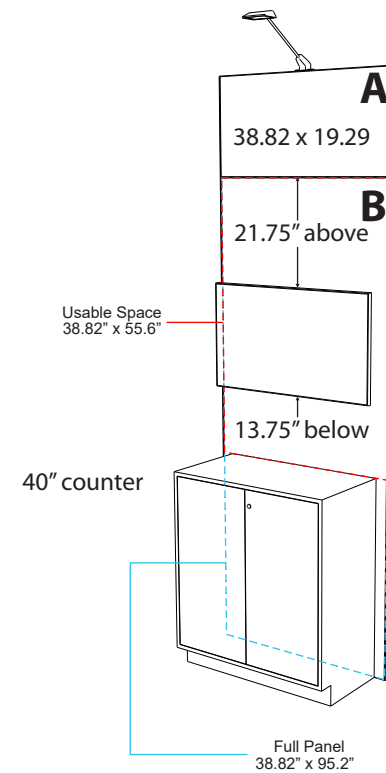
*Section A needs to include either the company name or company logo



OPTION 1
 No Monitor



OPTION 2
 Optional 32" Monitor



OPTION 3
 Optional 40" Monitor

*For Panel B – While the visible graphic area is only 38.82" x 55.5", the graphic file for submission must be 38.82" x 94.96"



Directions North America 2023

April 16-19, 2023

Hyatt Regency Grand Cypress, Orlando FL

WILLWORK
 7500 Exchange Drive,
 Orlando, FL 32809
 774-568-5425
 EXHIBITORSERVICES@WILLWORK.COM

SILVER KIOSK (EXPO) ORDER FORM

ARTWORK SUBMISSION DEADLINE	2/23/2023
ARTWORK APPROVAL DEADLINE (all artwork submitted and approved)	3/10/2023
ARTWORK LATE APPROVAL PERIOD (Sponsor incurs 30% rush fee)	3/24/2023

Please note: If approved graphics are not received by Friday, March 24, 2023, your company logo will be printed in lieu of your graphics.

PLEASE SUBMIT TWO ORDER FORMS, ONE FOR EACH KIOSK.

Description

SILVER KIOSK (EXPO)*

*Includes 2 Graphic Panels (A & B)

A. Header Panel: 38.82" wide x 19.29" high

File Name: _____

B. Back Panel: 38.82" wide x 94.96" high*

File Name: _____

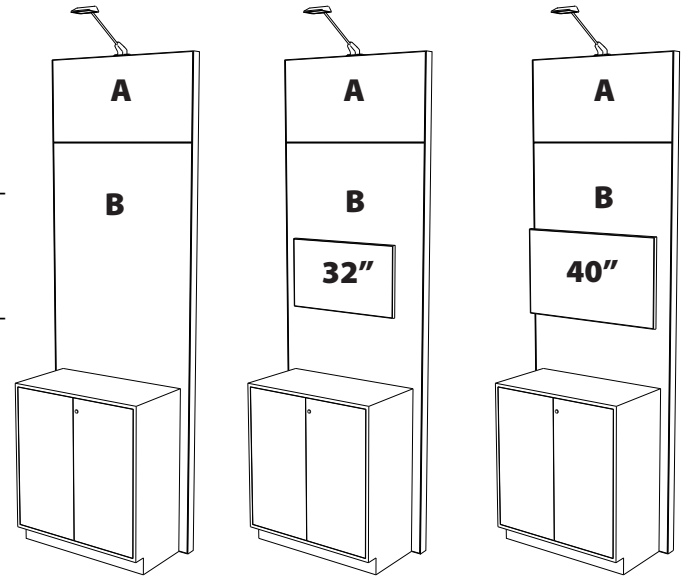
32" Mounted Monitor is Optional

Rental price is \$320.00 for the 32" monitor and includes the mount and HDMI cable.

40" Mounted Monitor is Optional

Rental price is \$400.00 for the 40" monitor and includes the mount and HDMI cable.

Please email orlando@willwork.com with tv measurements once a size is chosen



CIRCLE ONE

OPTION 1

OPTION 2

OPTION 3

PLEASE NOTE:

AV is NOT included.

*For Panel B – While the visible graphic area is only 38.82" x 55.5", the graphic file submission must be 38.82" x 94.96". Please see page 1 for size breakdown.

**Electrical drop will be placed into the demo counter, as shown in the rendering. If you require additional drops, or placement of your drops to be in a location other than the back of your booth, please contact the Hyatt Regency. If you need to upgrade your drops, you will be credited for the value of the drops included in your sponsorship package by the electrical services provider.

***If hardline Internet is required, please order separately. Please contact the Hyatt Regency.

150 DPI – PRINTABLE PDF OR ILLUSTRATOR FILE – exhibitorservices@willwork.com

Please print or type information below:

Contact Name:	Email:
Telephone:	Fax:
Exhibiting Company Name:	Booth Number:

Please Note: Kiosk is included in your sponsorship package. For monitor rentals and exhibitor orders, a Credit Card must be on file to ensure payment. No Goods or services will be rendered without a credit card accompanying this order. Your preferred method of payment will be used, if other than the credit card on file, to complete this order at the close of the show. Please visit the Willwork Service Desk to finalize your invoice. No adjustment will be made after the close of the show.



Directions North America 2023

April 16-19, 2023

Hyatt Regency Grand Cypress, Orlando FL

SILVER HANGING BANNER ORDER FORM

WILLWORK
7500 Exchange Drive,
Orlando, FL 32809
774-568-5425
EXHIBITORSERVICES@WILLWORK.COM

ARTWORK SUBMISSION DEADLINE 2/23/2023
ARTWORK APPROVAL DEADLINE (all artwork submitted and approved) 3/10/2023
ARTWORK LATE APPROVAL PERIOD (Sponsor incurs 30% rush fee) 3/24/2023

Please note: If approved graphics are not received by Friday, March 24, 2023, your company logo will be printed in lieu of your graphics.

Description

SILVER HANGING BANNER*

Banner Size 36" wide x 96" high

File Name: _____

Specifications:

Full Bleed: 37.25" w x 97.25" t (includes .625" bleed on all four sides.)

Trim: 36" w x 96" t

Live Safe Area: Set all text at least 1" from crop line

Include Bleed Area and Crop Marks:

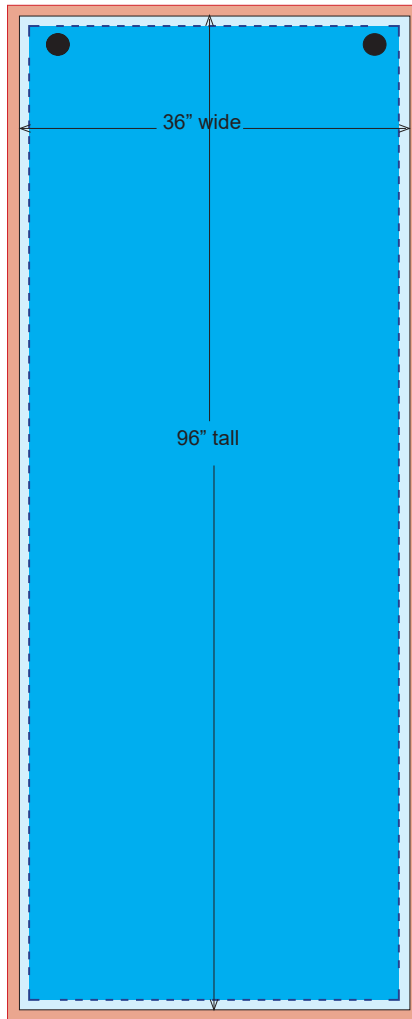
All files must have a 0.625" bleed on each side. Artwork must extend to the full bleed area (37.25" x 97.25"). On your PDF, please include bleed area and show crop marks at 36" x 96".

Grommets:

Grommets will be placed approximately 1.5" within the safe area at the top of the banner. Make sure you do not have any crucial text or graphics in areas where the grommets could interfere.

Pole Pockets:

A 3" pole pocket will be placed at the bottom of the banner. Some banners may have a 3" pole pocket instead of grommets at the top. Make sure you do not have any crucial text or graphics in areas where the pole pockets could interfere.



150 DPI – PRINTABLE PDF OR ILLUSTRATOR FILE – exhibitorservices@willwork.com

Please print or type information below:

Contact Name:	Email:	
Telephone:	Fax:	
Exhibiting Company Name:	Booth Number:	

Please Note: Kiosk is included in your sponsorship package. For monitor rentals and exhibitor orders, a Credit Card must be on file to ensure payment. No Goods or services will be rendered without a credit card accompanying this order. Your preferred method of payment will be used, if other than the credit card on file, to complete this order at the close of the show. Please visit the Willwork Service Desk to finalize your invoice. No adjustment will be made after the close of the show.